

Data Sheet AGV S2

Automated Guided Vehicle



Safelog AGV S2

- **In-Process charging** by using **sliding contacts**
- **Low-profile AGV**, just 260 mm (10.2 inch) in height, perfectly suited for driving underneath carriers (Drive Under Tractor)
- **7“ Touch display** for simple operation
- **Agent based Software** communicates decentralized with other AGVs and its environment
- **Variable add-ons**, e.g. conveyor technology
- **Turning radius** within a lane width of just **0.8 m (31.5 inch)**
- **Driving speeds** up to **1 m/s (2.2 mph)**
- **Transports** up to **500 kg (1102 lb)**
- **Laser safety sensor**
- **Electrical pin** for automatized pick-up, transportation and drop-off of carriers

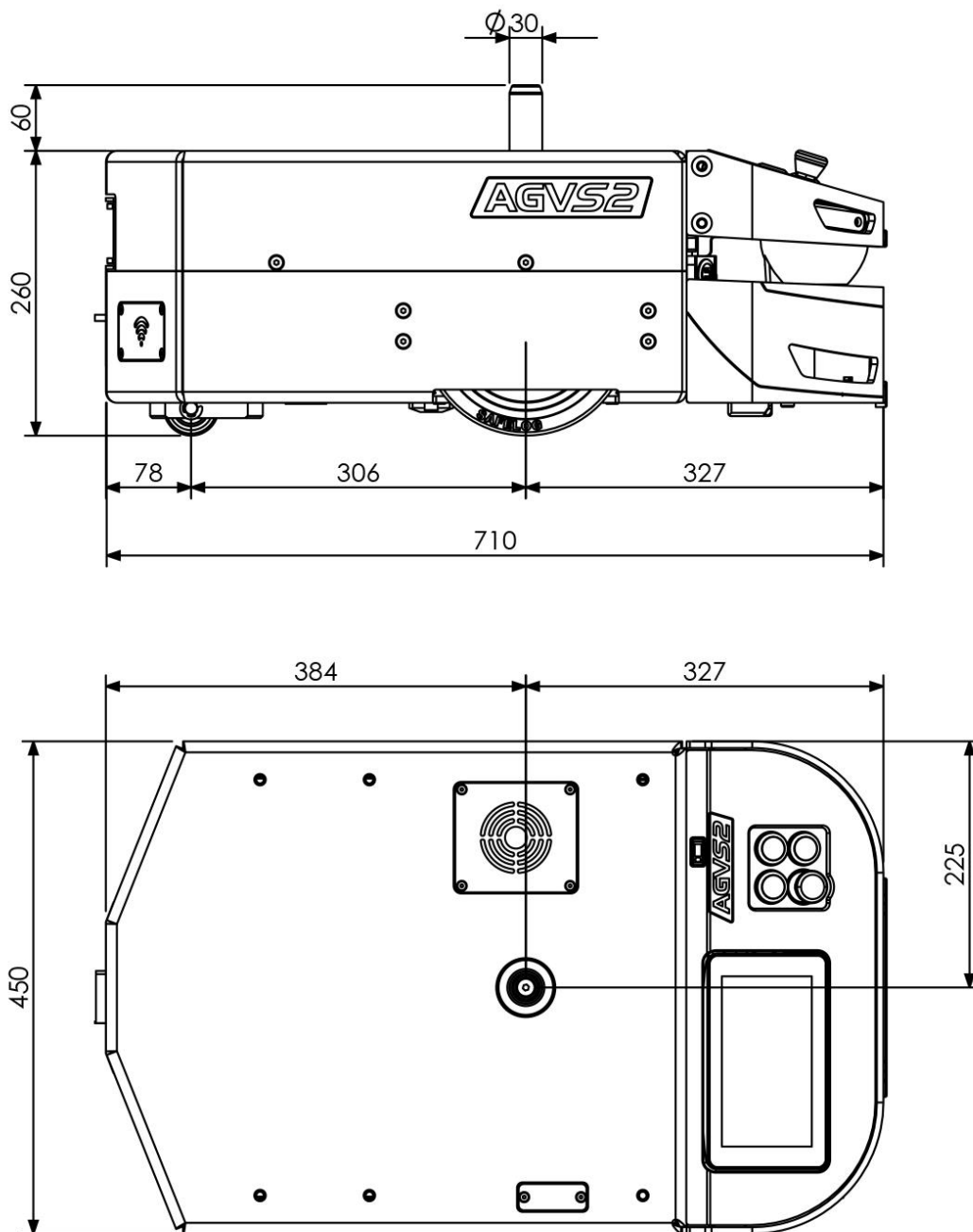
Technical data

| Description | SAFELOG AGV S2 |
|--|--|
| Article Number | 105205 |
| Electrical data | |
| Operating voltage AGV [V] | 24 DC |
| Operating voltage base station[V] | 48 DC |
| Charing time at 48V / 32A | 2 h* |
| Nominal voltage electrical unit [V] | 24 |
| Capacity [Ah] | 50 |
| Max. current [A] | 40 |
| Tests | |
| Temperature [°C]/([°F]) | 5 - 30 / (41 - 86) |
| Accuracy for positioning [mm] / ([inch]) | + / - 10* / (+ / - 0.4)* |
| Min. turning radius [m] / ([inch]) | 0.7 / (27.6) |
| Maximum speed [m/s] / ([mph]) | 1.0* / (2.2)* |
| Endurance driving [min] without load | 600* |
| Mechanical data | |
| Housing material | Powder-coated, bottom plate steel-reinforced |
| Dimensions (L / W / H) [mm] / ([inch]) | 710 (27.9) / 450 (17.7) / 260 (10.2) |
| Weight AGV [kg] / ([lb]) | 95 / (209.4) |
| Max. load capacity AGV (Topload) [kg] / ([lb]) | 150* / (330.7)* |
| Max. pulling capacity (carrier) [kg] / ([lb]) | 500* / (1102)* |

The imperial units are only for orientation. If there is any deviation in the specification, the metric system is valid.

* This value depends on the application environment.

Dimensions



Dimensions displayed in millimeters

SAFELOG GmbH

Henleinstr. 4
85570 Markt Schwaben

Telefon: +49 (89) 215 4261-0

Fax: +49 (89) 215 4261-19

www.safelog.de

info@safelog.de

