

Data Sheet AGV L1

Automated Guided Vehicle



Safelog AGV L1

- **Omni-directional** movement
- **In-Process charging** by using **sliding contacts**
- **7“ Touch display** for simple operation
- **Agent based Software** communicates decentralized with other AGVs and its environment
- **Variable add-ons**, e.g. conveyor technology
- **Lifting capacity** up to **1,5 t (3300 lb)** via four electrical pins
- **Transports** up to **3 t (6600 lb)**
- **Laser safety sensor** in every direction
- **Driving speeds** up to **1.0 m/s (2.4 mph)**

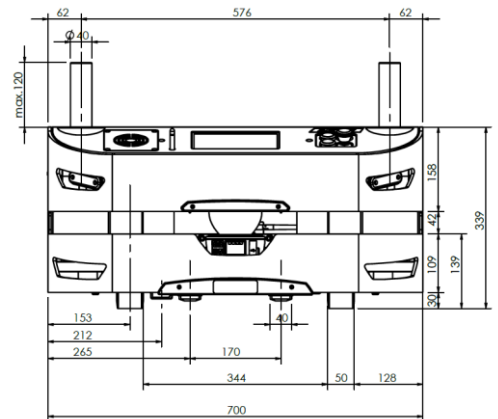
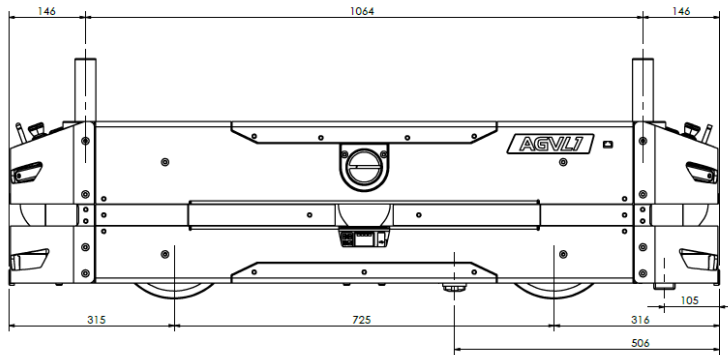
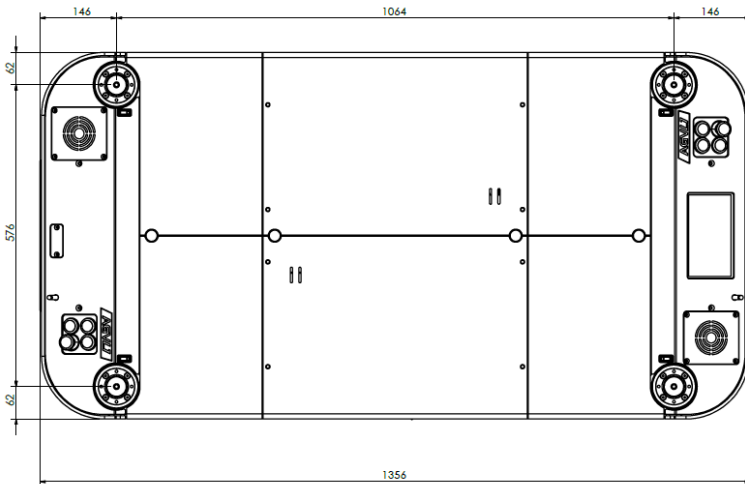
Technical data

Description	SAFELOG AGV L1
Article number	105366
Electronical Data	
Operating voltage AGV [V]	24 DC
Operating voltage base station [V]	48 DC
Charging time at 48V / 32A	4 h*
Nominal voltage electrical unit [V]	24
Capacity [Ah]	95
Maximum current [A]	200
Tests	
Temperature [°C] / (°F)	5-40 / (41 – 104)
Accuracy of positioning [mm] / ([inch])	+ / - 10* / (+ / - 0.4)*
Maximum speed [m/s] / ([mph])	1,0* / (2.4)*
Endurance driving [min] without load	600*
Mechanical data	
Housing material	Powder-coated, bottom plate steel-reinforced
Dimensions (L / W / H) [mm] / ([inch])	1350 (53.1) / 700 (27.6) / 340 (13.4)
Weight AGV [kg] / ([lb])	280 / (617.3)
Additional weight (for towing) [kg] / ([lb])	42 / (92.6)
Max. load capacity AGV (Topload) [kg] / ([lb])	1500* / (3306.9)*
Max. pulling capacity (carrier) [kg] / ([lb])	3000* / (6613.8)*

The imperial units are only for orientation. If there is any deviation in the specification, the metric system is valid.

* This value depends on the application environment.

Dimensions



Dimensions displayed in millimeters

SAFELOG GmbH

Henleinstr. 4
85570 Markt Schwaben

Telefon: +49 (89) 215 4261-0

Fax: +49 (89) 215 4261-19

www.safelog.de

info@safelog.de

