



AGV **M4-C**

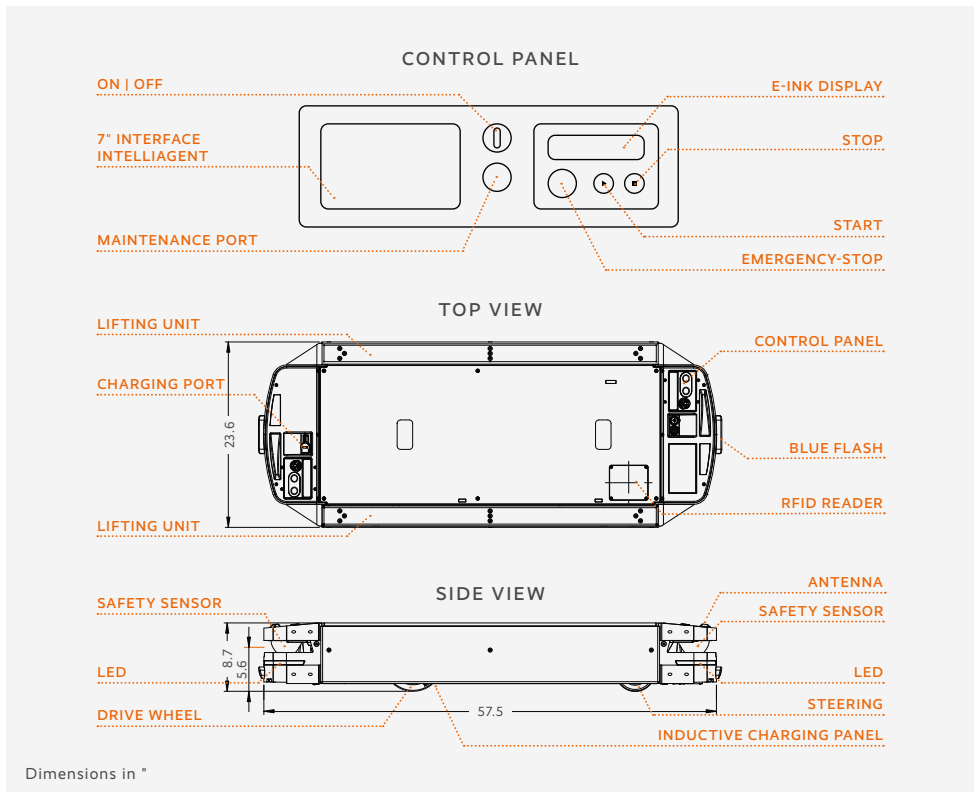
MOBILE TRANSPORT ROBOT

DATASHEET (PRELIMINARY) | SCISSOR LIFT

SAFELOG

GENERAL INFORMATION

- Forward and reverse drive
- Wear-free charging during operation due to inductive charging system
- Scalable battery capacity with LiFePO4 batteries to adapt to process requirements
- Flat design with only 8.7 " height - ideal for driving underneath trolleys
- Agent-based system that enables communication between the AGVs and their environment
- Electric scissor lift for lifting payloads up to 2200 lbs*
- Lifting height of 1.6 " in 5 s
- Driving speeds from 0.05 mph up to 3.6 mph
- Navigation: track guided (magnetic track or virtual track) as well as free navigation in space
- Hybrid localization: contour detection, camera, RFID, odometry and magnetic track
- Safety laser scanner in each direction of travel



TECHNICAL INFORMATION

PRODUCT

Product name	SAFELOG AGV M4-C
Article number	106887

ELECTRIC DATA

Operating voltage AGV (V)	24 DC
Charging time with inductive charger (for 1/2/3/4 batteries) (min)	30 40 60 80*
Nominal voltage (V)	24
Capacity (for 1/2/3/4 batteries) (Ah)	21 42 63 84

OPERATION DATA

Temperature range (°F)	+41 to +95
Positioning accuracy (")	+/- 0.2*
Min. turning radius (")	39
Max. speed with/without payload (mph)	2.2 3.6*
Continuous driving without payload (for 1/2/3/4 batteries) (h)	4 8 12 16*

MECHANICAL DATA

Casing material	Steel
Dimensions L W H (")	57.5 23.6 8.7
Weight AGV (lbs)	672
Max. topload AGV (lbs)	2200*
Max. lifting height (scissors lift) (")	1.6

*environment-dependent

